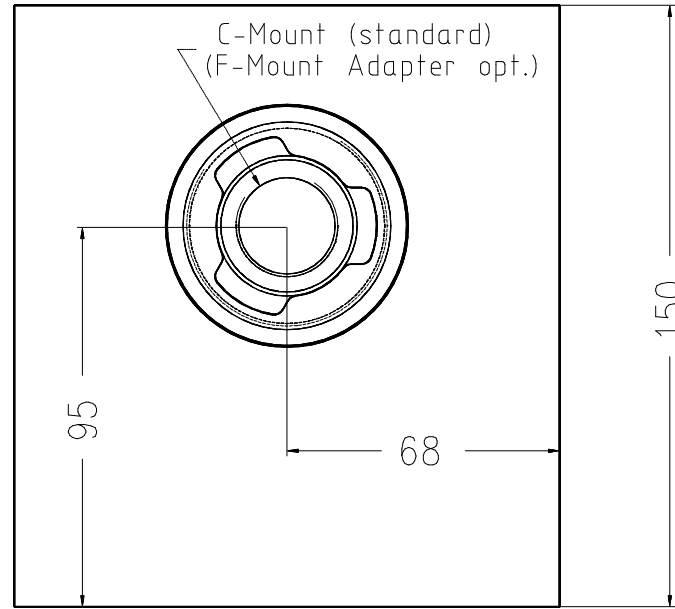
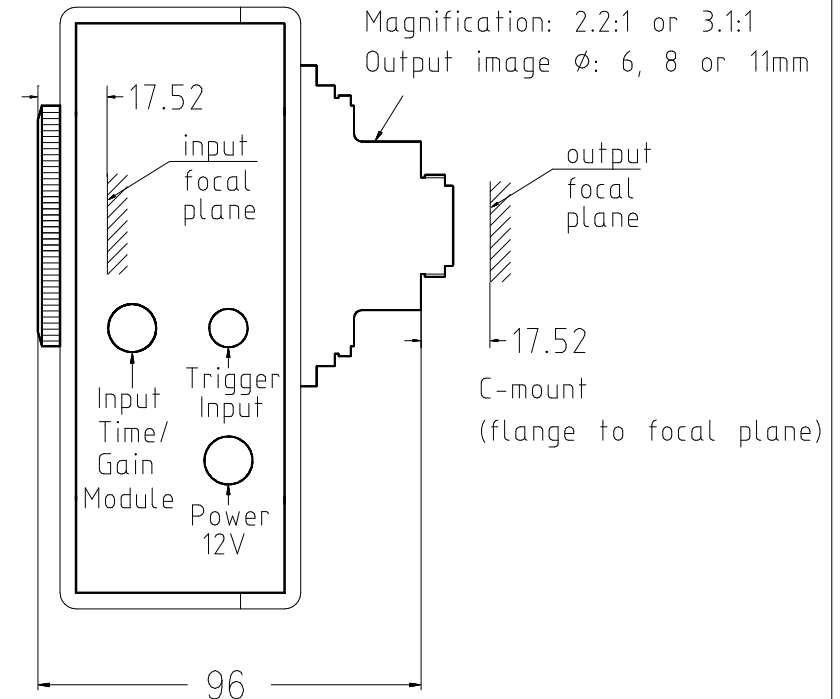


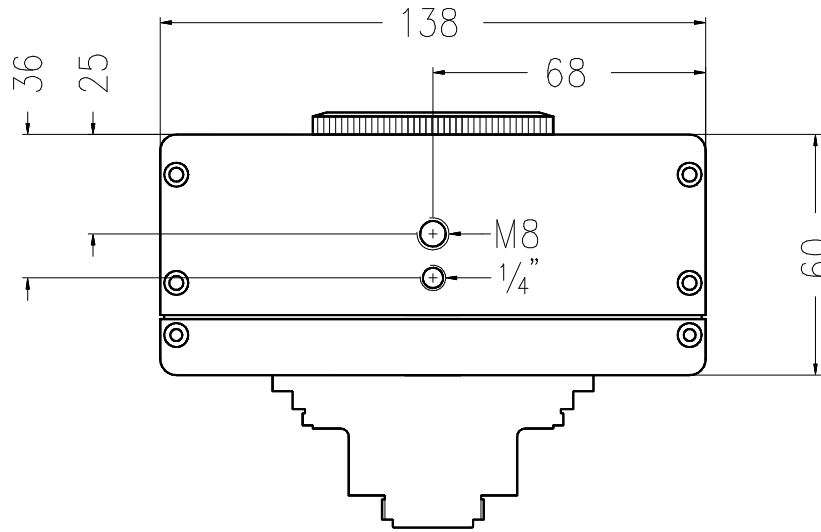
Side View



Front View



Side View

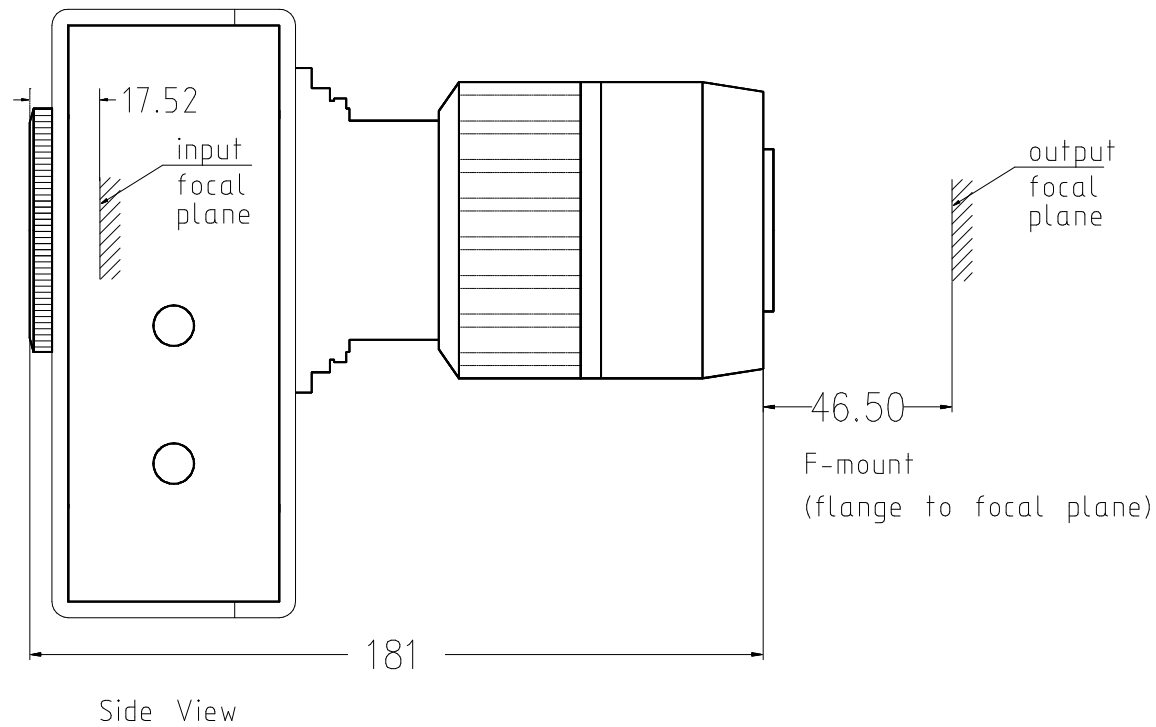


Bottom View

Dimensions:
Quantum Leap
Weight: 1.8kg / 4lb

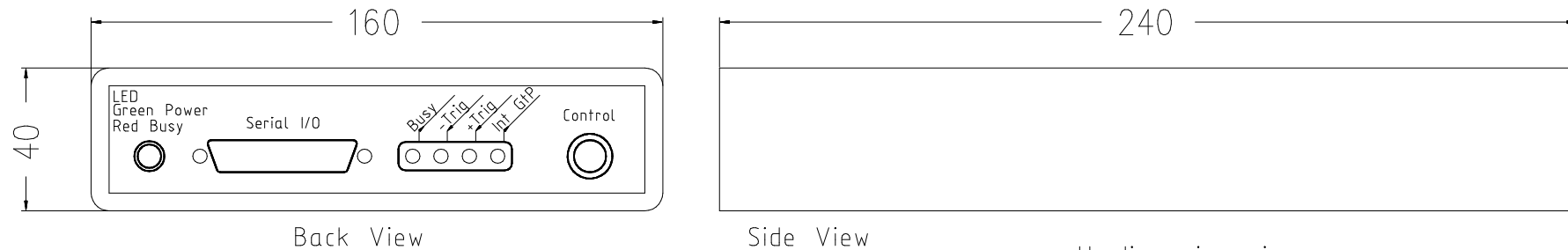
all dimensions in mm
Copyright by Stanford Computer Optics, Inc (2013)

Optional large format output lens:



Large format output lens
 Connection: F-mount
 (C-mount adapter available)
 Magnification: 1:1

Dimensions: Time-gain module (Weight: 0.3kg / 0.7lb)



all dimensions in mm

Copyright by Stanford Computer Optics, Inc (2013)