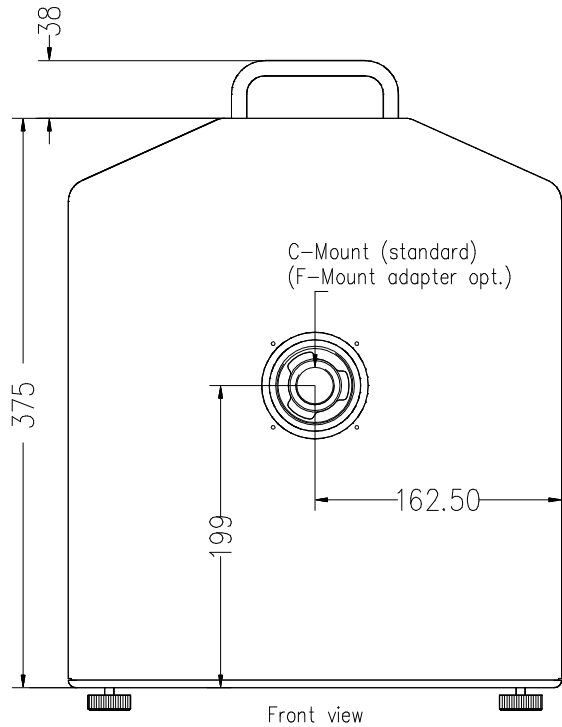
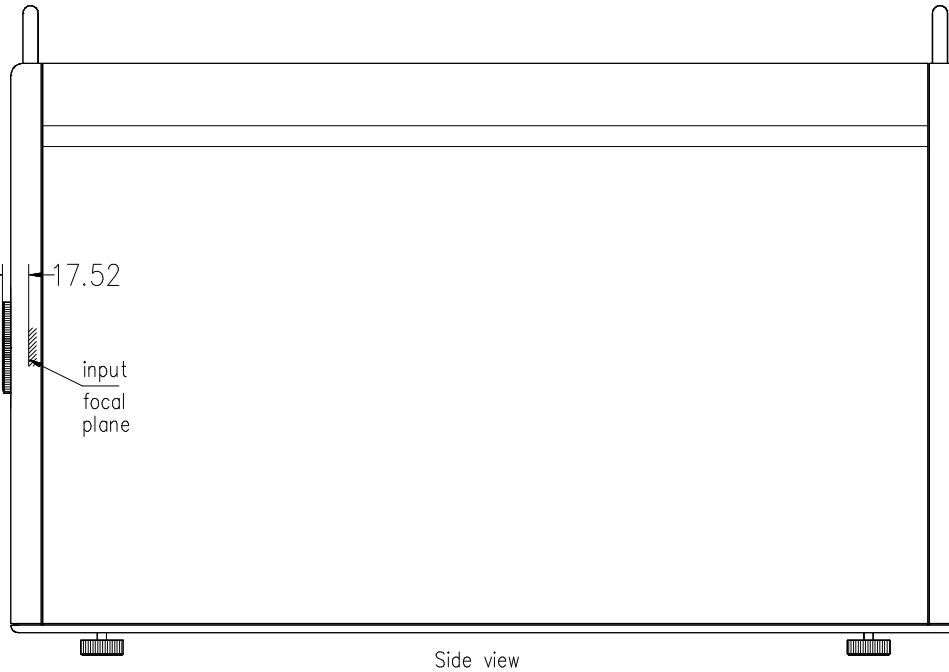


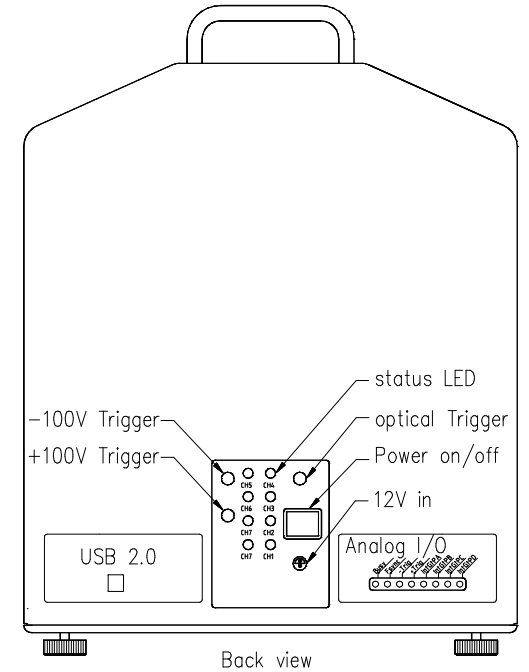
6 or 8 channel XXRapidFrame



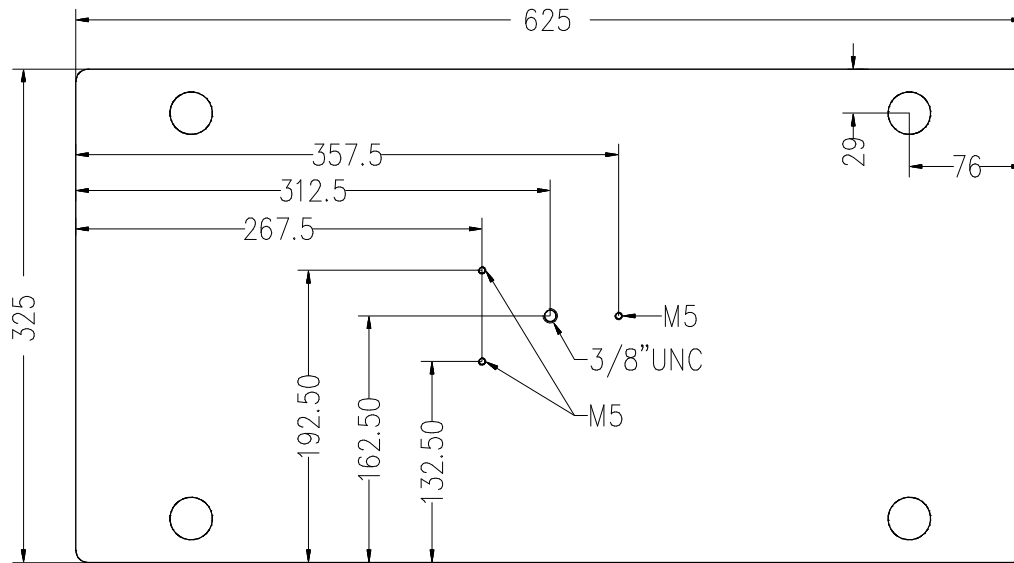
Front view



Side view



Back view



Bottom view

8-channel XXRapidFrame

Weight: 35kg / 77lb

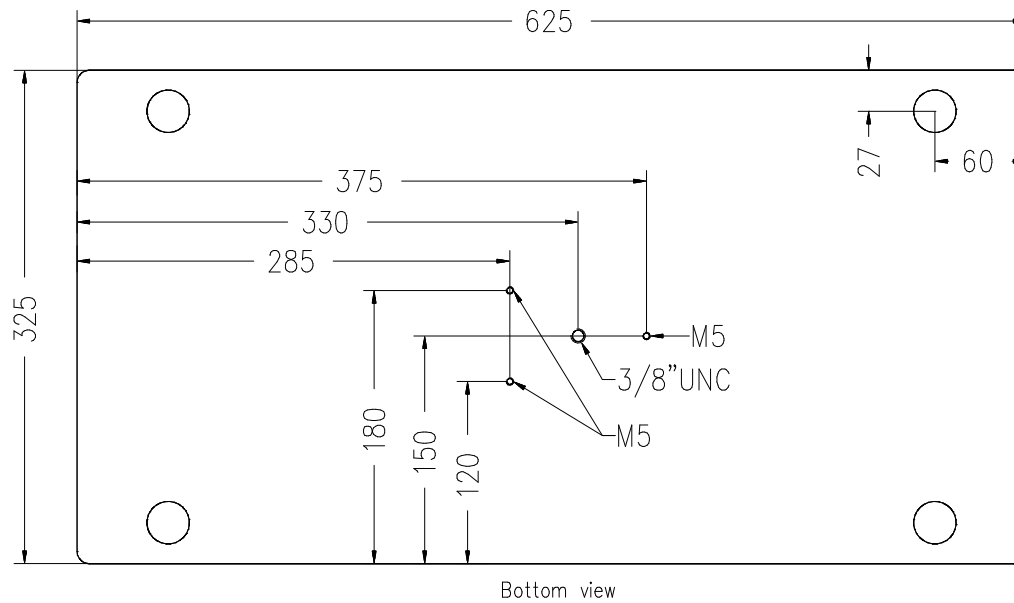
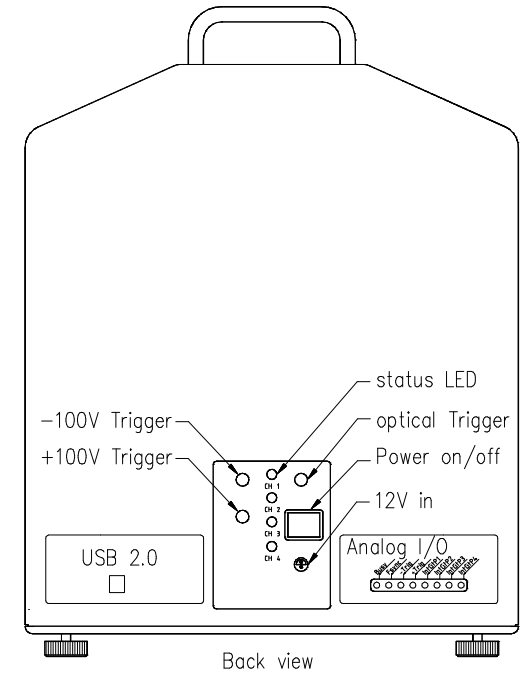
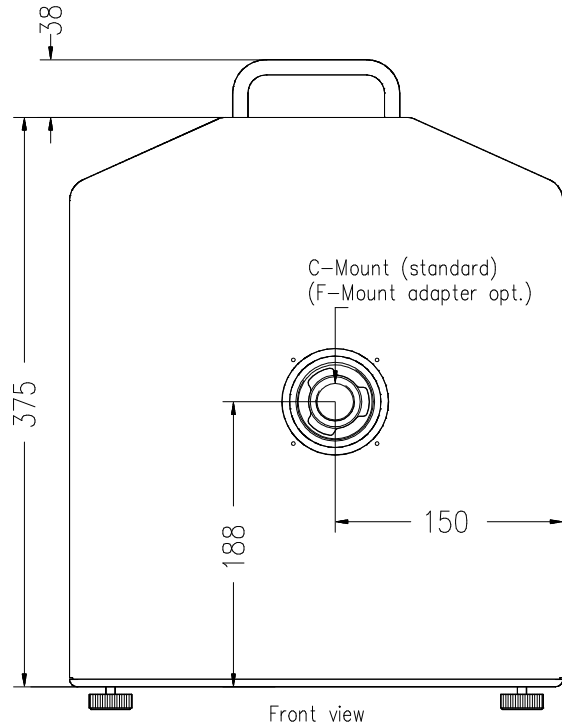
6-channel XXRapidFrame

Weight: 30kg / 65lb

all dimensions in mm

Copyright by Stanford Computer Optics, Inc

2 or 4 channel XXRapidFrame

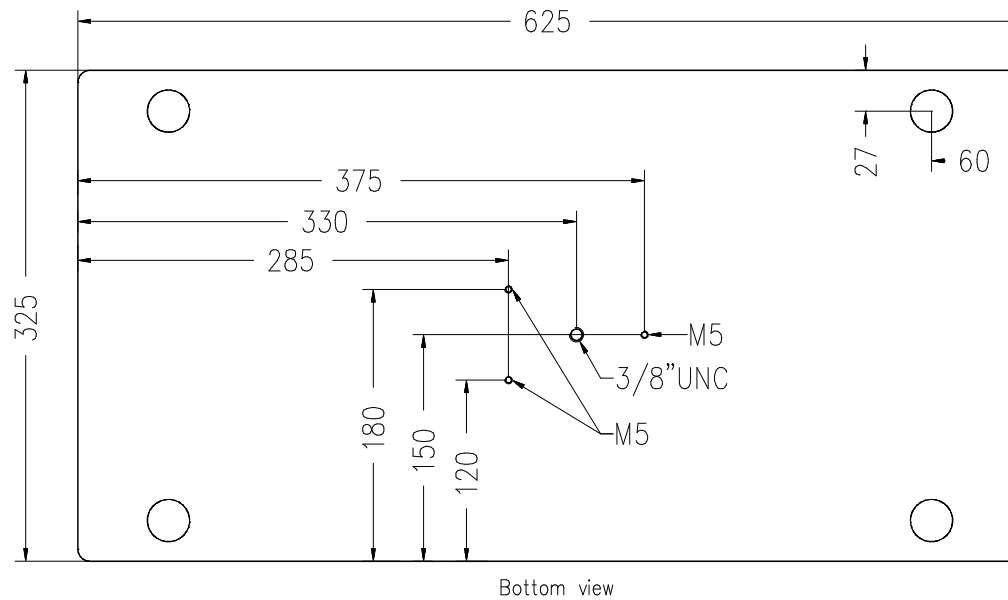
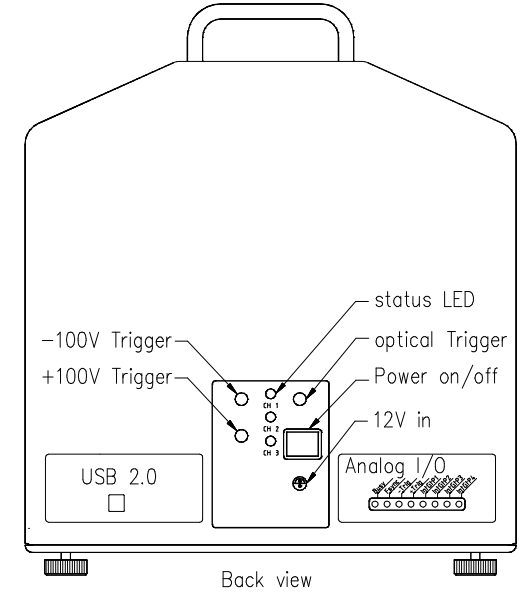
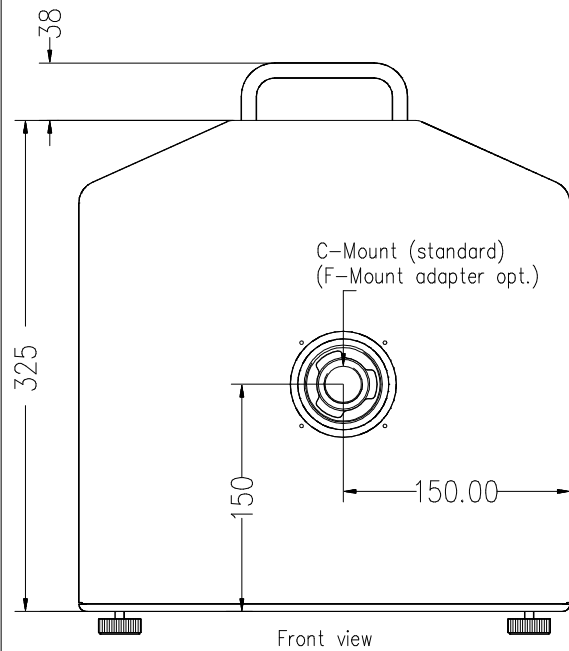


4-channel XXRapidFrame
Weight: 35kg / 77lb

2-channel XXRapidFrame
Weight: 25kg / 55lb

all dimensions in mm
Copyright by Stanford Computer Optics, Inc

3 channel XXRapidFrame



Dimensions:
3-channel XXRapidFrame
Weight: 32kg / 70lb

all dimensions in mm
Copyright by Stanford Computer Optics, Inc